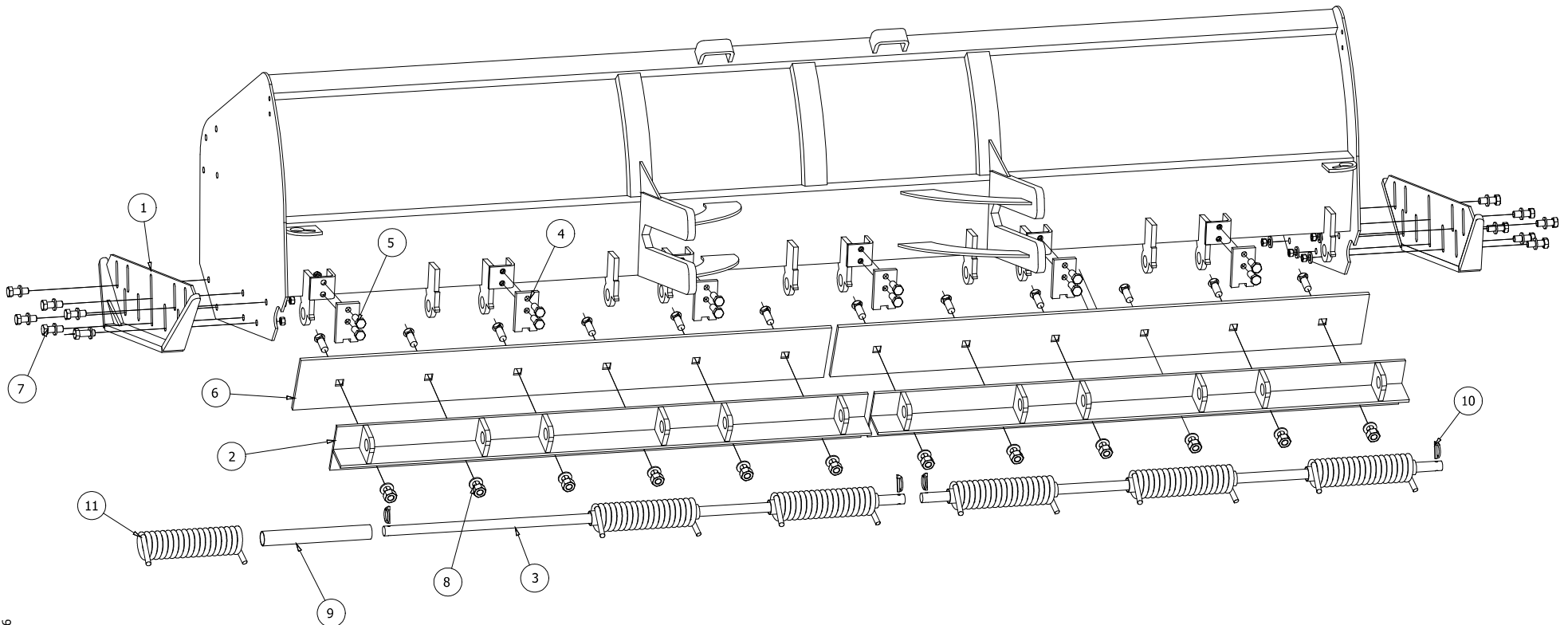


# BHAT-XX\* Series

## Steel Trip Edge Box Plow

### Parts List

BHAT-XX REPLACEMENT PARTS LIST			
ITEM	QTY	PART NUMBER	DESCRIPTION
1	2	BAA003	WEAR SHOE
2	2	BAA004-XX	T BAR
3	2	CAA030-XX	TRIP EDGE ROD
4	AS PER LENGTH	CAA020	SPRING PRE-LOAD PLATE
5	AS PER LENGTH	KAA003	SPRING PRE-LOAD PLATE FASTENER KIT
6	2	CAA029-XX	STEEL CUTTING EDGE
7	12	KAA002	WEAR SHOE FASTENER KIT
8	AS PER LENGTH	KAA004	STEEL CUTTING EDGE FASTENER KIT
9	AS PER LENGTH	CAA033	SPRING SLEEVE
10	4	HAA051	LOCK PIN
11	AS PER LENGTH	CAA032	SPRING



LAST UPDATED ON 22.AUG.2006



\* BHAT (-XX) SUFFIX DENOTES STANDARD LENGTHS OF 10', 12', 14' AND CUSTOM LENGTHS  
E.G.: BHAT-10 DENOTES A 10' BHAT STEEL TRIP EDGE PLOW

COPYRIGHT LEDEX INDUSTRIES, LEDEX INDUSTRIES, AVALANCHE AND THE AVALANCHE LOGO ARE REGISTERED TRADE MARKS OF ADEPCO TECHNOLOGIES CORP.